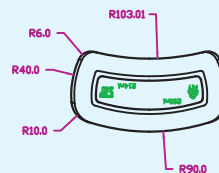
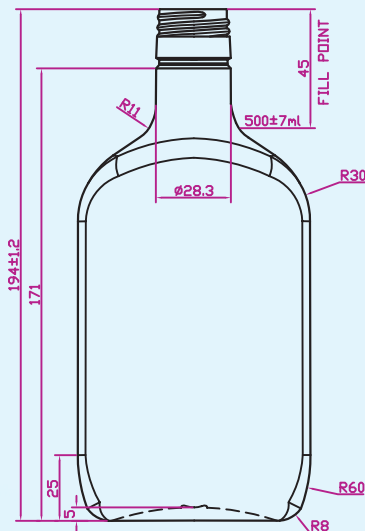


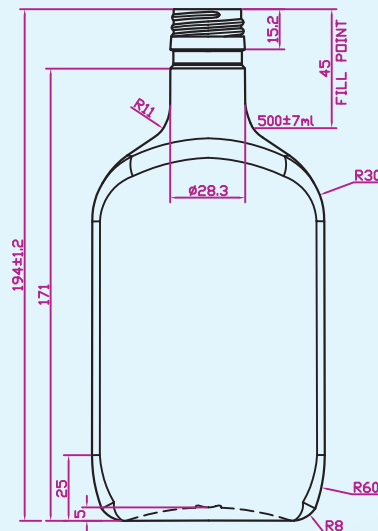
Drawing No.: KBSA – 0201 long
 Bottle name: 0.2/l long ALCO
 Fill point capacity: 200±3 ml
 Brimfull capacity: 214±6 ml
 Cap standart: 28x38
 Weight: 30±1gr
 Bottles comply with standart
 IST 4519605–02:2004 requirements



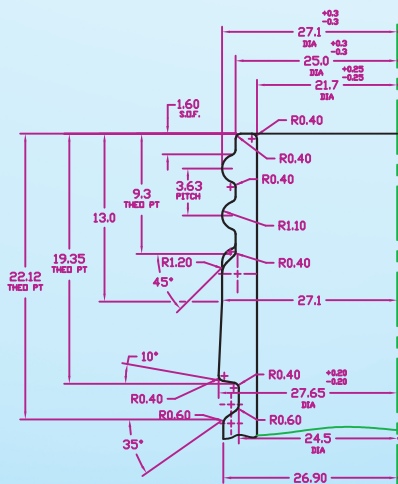
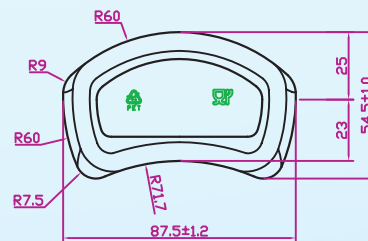
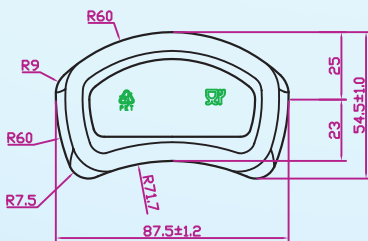
Drawing No.: KBSA – 0201 short
 Bottle name: 0.2/l short ALCO
 Fill point capacity: 200±3 ml
 Brimfull capacity: 214±6 ml
 Cap standart: 28x18
 Weight: 29±1gr
 Bottles comply with standart
 IST 4519605–02:2004 requirements



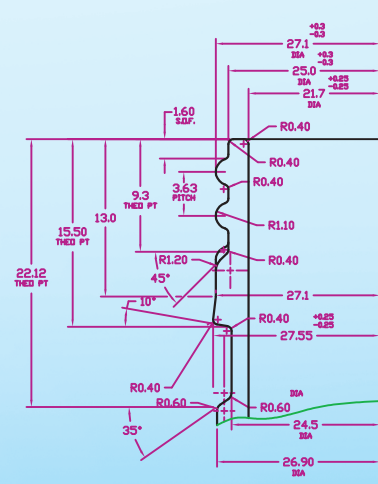
Drawing No.: KBSA – 0509 long
 Bottle name: 0.5/9 long ALCO
 Imfull capacity: 520±11 ml
 Fill point capacity: 500±7 ml
 Cap standart: 28x38
 Weight: 44±1gr
 Bottles comply with standart
 IST 4519605–02:2004 requirements



Drawing No.: KBSA – 0509 short
 Bottle name: 0.5/9 short ALCO
 Imfull capacity: 520±11 ml
 Fill point capacity: 500±7 ml
 Cap standart: 28x18
 Weight: 43±1gr
 Bottles comply with standart
 IST 4519605–02:2004 requirements



NECK LONG



NECK SHORT